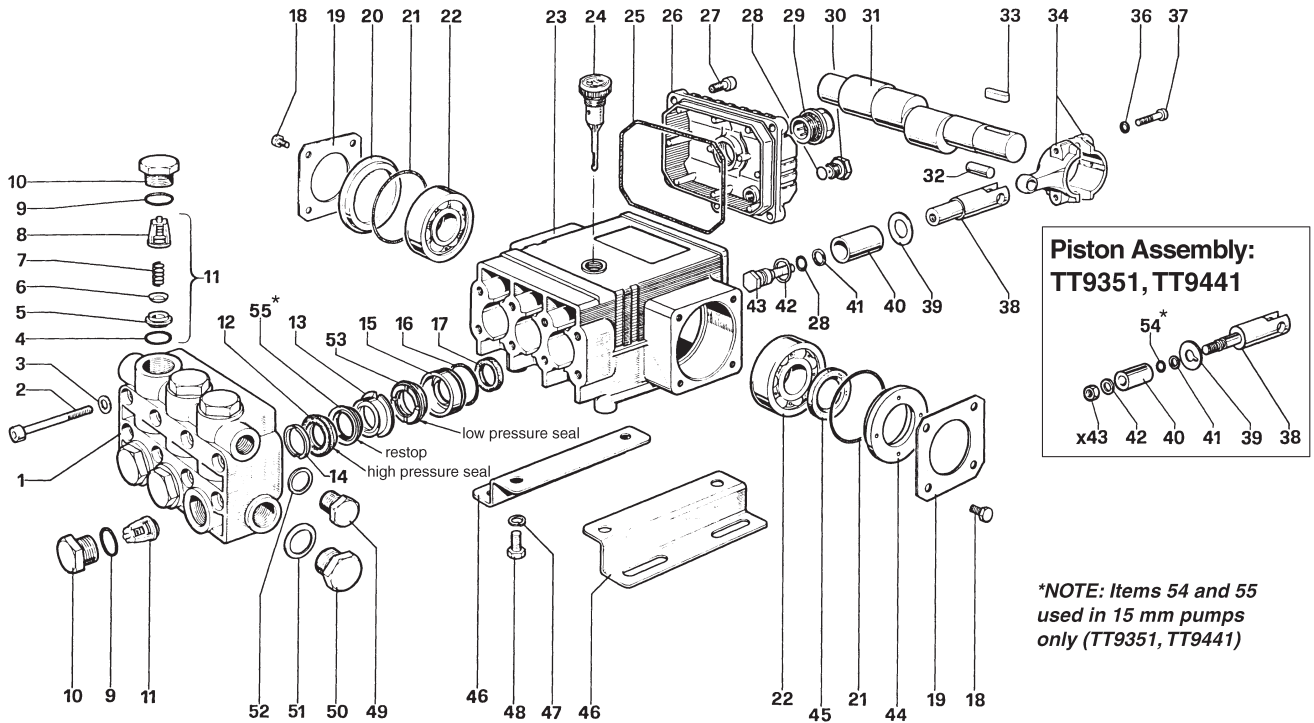


T Series 50 – Solid Shaft

GENERAL PUMP

A member of the Interpump Group



PARTS LIST

ITEM	PART NO.	DESCRIPTION	KIT	QTY.	ITEM	PART NO.	DESCRIPTION	KIT	QTY.	ITEM	PART NO.	DESCRIPTION	KIT	QTY.
1.	50.1207.41	Manifold, Brass		1	20.	50.2116.51	Spacer		1	39.	96.7286.00	Washer	6	3
	50.1200.22	Manifold, Aluminun (T911)			21.	90.4097.00	O-Ring, 2.188 x .139		2		96.7070.00	Washer (TT9351, TT9441)		
2.	99.3175.00	Screw		8	22.	91.8329.00	Ball Bearing		2	40.	50.0404.09	Plunger (20 mm)		3
3.	96.7014.00	Washer		8	23.	50.0104.22	Crankcase		1		52.0400.09	Plunger (15 mm) (TT9351, TT9441)		
4.	90.3841.00	O-Ring, .675 x .103	1	6	24.	98.2103.00	Oil Dip Stick		1	41.	90.5067.00	Back-up Ring	6	3
5.	36.2003.66	Valve Seat		6	25.	90.3920.00	O-Ring, 3.987 x .103		1		90.5022.00	Back-up Ring (TT9351, TT9441)		
6.	36.2001.76	Valve Plate		6	26.	50.1600.22	Cover		1	42.	96.7280.00	Washer	6	3
7.	94.7376.00	Spring		6	27.	99.1837.00	Screw		5		96.7008.00	Washer (TT9351, TT9441)		
8.	36.2002.51	Valve Guide		6	28.	90.3585.00	O-Ring, .426 x .070	6	4	43.	47.2195.66	Plunger Screw	6	3
9.	90.3847.00	O-Ring, .797 x .103	4	6	29.	97.5968.00	Oil Level Indicator		1	x43.	92.2216.00	Nut, M8, SS		3
10.	98.2220.00	Cap		6	30.	98.2041.00	Cap		1	44.	50.2115.51	Spacer		1
11.	36.7032.01	Valve Assembly	1	6	31.	50.0218.35	Crankshaft (T991, T911)		1	45.	90.1634.00	Oil Seal		1
						50.0219.35	Crankshaft (T9951)			46.	50.2000.74	Pump Feet		2
12.	90.2703.00	Packings	19, 27	3		50.0201.35	Crankshaft (T9971, TT9441)			47.	96.7016.00	Washer		4
	90.2620.00	(TT9351, TT9441)	88, 92			50.0205.35	Crankshaft (TT9351)			48.	99.3037.00	Screw		4
13.	50.2166.70	Intermediate Ring	20, 27	3						49.	98.2100.00	Cap		1
	52.2166.70	(TT9351, TT9441)	89, 92		32.	97.7330.00	Wrist Pin		3	50.	98.2176.00	Cap		1
14.	50.1000.51	Head Ring	21, 27	3	33.	640048	Key		1	51.	96.7514.00	Washer		1
	51.1000.51	(TT9351, TT9441)	90, 92		34.	50.0300.01	Connecting Rod, Aluminum		3	52.	96.7380.00	Washer		1
15.	50.0805.70	Packing Retainer	22, 27	3		50.0303.01	Connecting Rod (T9971)			53.	90.2698.00	Packing, Low Press.	19, 27	3
	52.0805.70	(TT9351, TT9441)	91, 92		36.	96.6939.00	Washer		6		90.2617.00	(TT9351, TT9441)	88, 92	
16.	90.3612.00	O-Ring, 1.239 x .070	22, 27	3	37.	99.1927.00	Screw		6	54.	90.3572.00	O-Ring, .208" x .070"		3
17.	90.1614.00	Oil Seal	23	3	38.	50.0501.56	Plunger Guide		3	55.	90.2622.00	Restop Ring	88, 92	3
18.	99.1807.00	Screw		8		52.0500.56	Plunger Guide (TT9351, TT9441)							
19.	50.1500.74	Crankcase Cover		2										

REPAIR KITS

KIT NO.	1	4	6	19 or 88	20 or 89	21 or 90	22 or 91	23	27 or 92
ITEM NO.s INCLUDED IN KIT	4, 5, 6, 7, 8 (11)	9, 10	28, 39, 41, 42, 43	12, 53, 55* *15mm only	13	14	15, 16	17	12, 13, 14, 15, 16, 53, 55* *15mm only
NUMBER OF ASSEMBLIES IN KIT	6	6	3	3	3	6	3	3	1
NUMBER OF CYLINDERS KIT WILL SERVICE	3	3	3	3	3	3	3	3	1

TORQUE SPECS*

Position	Ft.-lbs.
2	14.7
10	73.7
18	7.3
27	7.3
29	13.2
30	14.7
37	8.8
43	14.7
48	14.7
49	29.4
50	29.4